

HYDRAULIC PRESSES PILLER TYPE

We provide a wide range of pillar type presses.

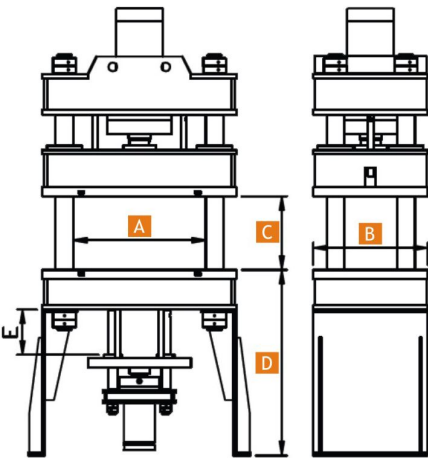
These presses are suitable for

1. Punching
2. Riveting
3. Embossing
4. Deep Drawing, etc.,

Optional Features:

1. Ejection
2. Die Cushioning
3. Load Indication
4. Linear Measurement Provision.

These Presses are available upto 2000 tons



160 TON HYDRAULIC PRESS

TON	A	B	C	D	E	HP
25	400	350	PT	800	150	3
40	400	350	PT	800	150	3
63	500	550	PT	900	200	7.5
100	600	600	PT	1000	200	7.5
150	700	600	PT	1100	200	10
200	800	800	PT	1150	250	10
250	800	800	PT	1200	300	15
300	1000	800	PT	1500	300	20
350	1000	1000	PT	1500	300	20



250 TON RUBBER FORMING PRESS



MOBILE HYDRAULIC PRESS - 100 TON



10 TON HYDRAULIC PRESS



40 TON HYDRAULIC PRESS

C - TYPE HYDRAULIC PRESSES

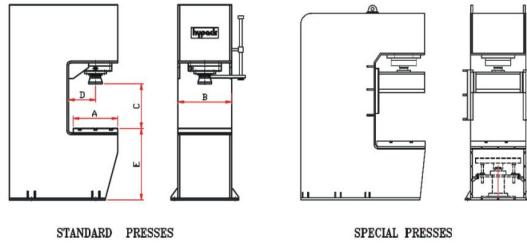
C-TYPE HYDRAULIC PRESS

We provide a wide range of C-Type presses that is manufactured using high grade raw material.

These presses are suitable for

1. Deep Drawing
2. Extrusion
3. Rubber Molding
4. Abrasive
5. Cold and Hot Forming
6. Die Shaping

These Presses are available upto 1000 tons



C TYPE HYDRAULIC PRESS

Details of Standard Presses

TONES		10	15	25	40	65	100	160	200
Table Length	A	300	300	350	350	400	400	450	450
Table Width	B	350	350	400	400	500	500	500	200
Day Light	C	400	400	450	450	500	500	600	600
Throat	D	250	250	250	250	300	400	400	450
Working Height	E	800	800	800	800	800	800	800	800

SPECIAL PURPOSE MACHINES

We are engaged in design and manufacture of special purpose machine tools required for high production rates with consistent quality which is today's need in engineering manufacture. We offer the machines and supply as per the specific requirement of the customer.



ROLLER ASSEMBLY MACHINE



BUS BODY STRETCHING MACHINE



VEHICLE STABILIZING SYSTEM



MAST TILTING SYSTEM

HYDRAULIC PRESSES H - TYPE

We provide a wide range of H - Type presses that is manufactured using high grade raw material.

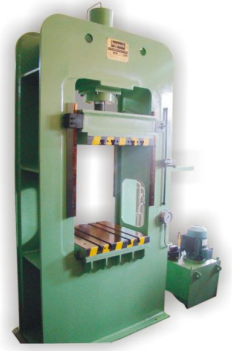
These presses are suitable for

1. Deep Drawing
2. Extrusion
3. Rubber Molding
4. Abrasive
5. Cold and Hot Forming
6. Die Shaping

These Presses are available upto 1000 tons

Details of Standard Presses

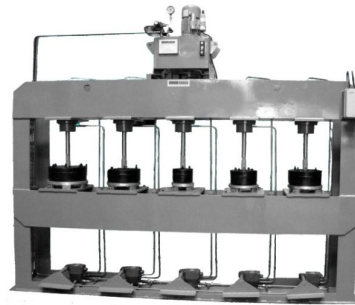
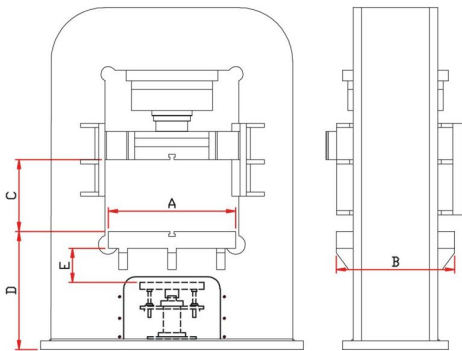
TON	A	B	C	D	E	MOTOR(HP)
40	400	350	PT	800	150	5
63	500	500	PT	900	200	7.5
100	600	600	PT	1000	200	7.5
150	700	600	PT	1100	200	7.5
200	800	800	PT	1150	250	10
250	800	800	PT	1200	300	15
300	1000	800	PT	1500	300	20
350	1000	1000	PT	1500	300	20



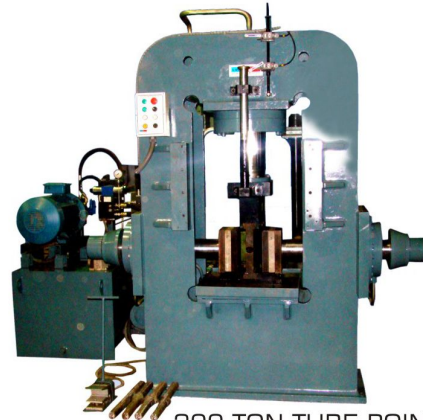
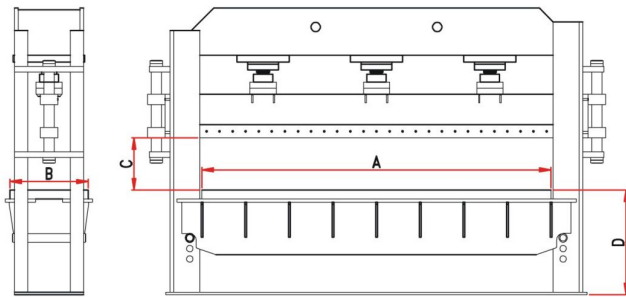
H TYPE RUBBER MOULDING PRESS



100 TON HYDRAULIC PRESS



ARECA LEAF PRESSING MACHINE



200 TON TUBE POINTING MACHINE

Details of Bending Presses

TON	A	B	C	D	CYL	MOTOR(HP)
50	1000	400	PT	850	1	5
75	1000	500	PT	850	1	7.5
100	1000	600	PT	850	1	7.5
200	1500	800	PT	900	2	10
250	2500	900	PT	1000	2	10
350	4000	900	PT	1100	3	15
500	5000	900	PT	1150	3	20
600	6000	1000	PT	1200	4	20
750	6000	1000	PT	1500	4	25
1000	6000	1000	PT	1500	4	25



75 TON HYDRAULIC PRESS



250 TON BENDING PRESS